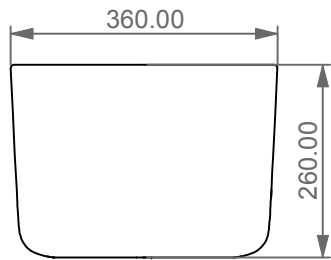


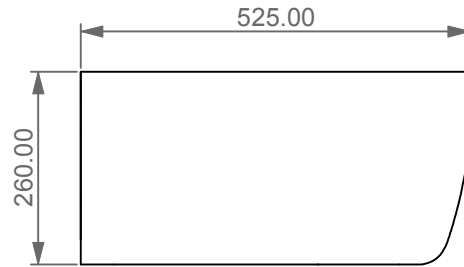
# GSG

CERAMIC DESIGN

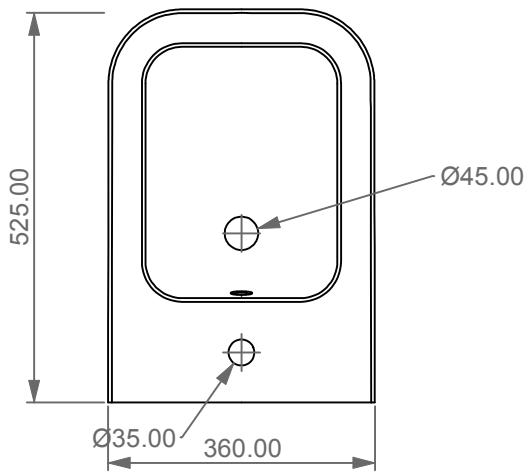
Bidet sospeso Brio monoforo  
(senza foro su richiesta).  
Brio bidet wall-hungmone hole  
(no hole on request).



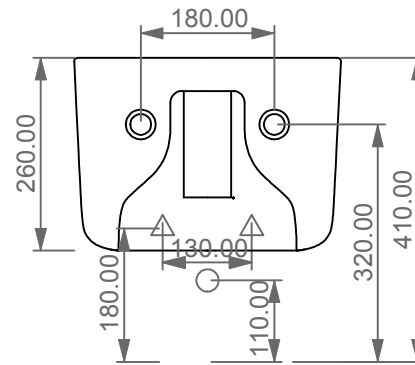
FRONT



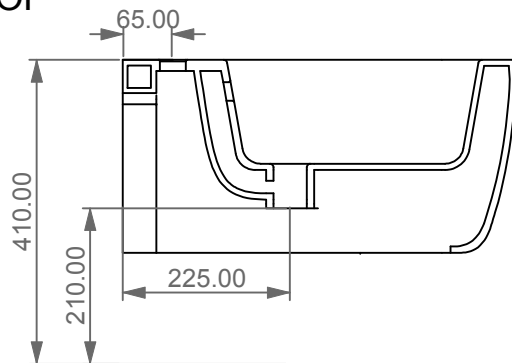
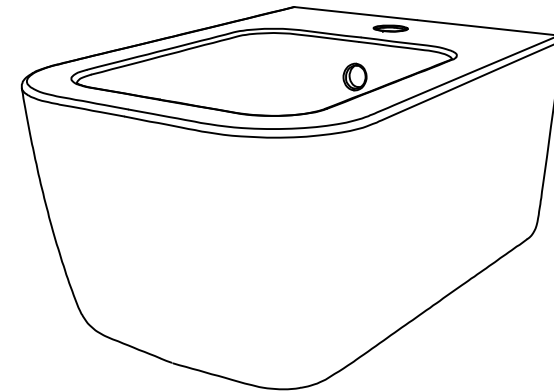
LEFT



TOP



REAR



SECTION

Designation  
Bidet sospeso Brio monoforo  
(senza foro su richiesta).  
Brio bidet wall-hungmone hole  
(no hole on request).

Scale  
1:10

cod. BRBISO

# GSG

CERAMIC DESIGN

This drawing including the respected data may neither be duplicated nor modified nor altered without the consent of GSG Ceramic Design. The use of the data/technical drawings take place at users own risk and under exclusion of any liability of GSG Ceramic Design. The dimensions are not binding; products are subject to changes. Measurement shown may be subjected to small variations or are indicative.